

Scalable
Modular
Solution **Integrated**
Safe
Cost-effective

Technology

Operating Control Ratio :

1/29 - 1/12,5 - 1/6

Balanced poppet : any effects of inlet pressure loss on outlet pressure is considerably reduced.

¹ in accordance with the formula (2P+1) : PE = 2P + 1 bar
Please, consult us if this principle is not applicable

Technical data

Working pressure	370 bars maxi		5360 psi maxi
Pilot pressure	0-10 bars		0-145 psi
Temperature range	-20°C /+70°C		-4°F / +158°F
Outlet range	up to 285 bars		up to 4130 psi
Inlet port	1/4" F BSPP	3/8" F BSPP	1/2" F BSPP
Outlet port	1/4" F BSPP	3/8" F BSPP	1/2" F BSPP
Seat size	1,5 mm (unbalanced)	3 mm	5,4 mm
DN (Nominal Diameter)	12		
Pressure gauge port	2x 1/4" BSPP pre-tapped		
Mounting	All mounting positions possible		
	Allows integration with Alcrysafe® modular systems		

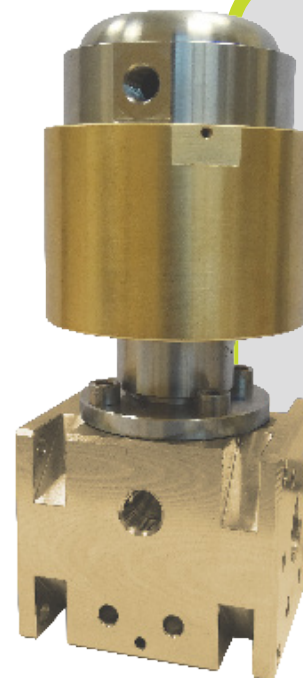
function

A dome-loaded proportional regulator enables the operator to determine an outlet pressure, within its operating limits, which is kept constant despite any variations in inlet flow rates¹.

Application

Designed for High-Pressure gas uses, the Alcrysafe® dome-loaded proportional regulator can be employed in conjunction with the whole range of gases and liquids compatible with the component materials.

However, some specific on-site installation factors can limit possible uses of the pressure regulator.



Dome-loaded proportional regulator DLP100

alcrysafe®

The Alcrysafe® Pressurised Equipment range has been developed in our in-house R&D team. Technical expertise and innovation combined to provide optimal performance and security standards for your high pressure industrial gas applications.

Weight	5,2 kg		
Brackets	Two tapped M6x8 on the underside face		
	Four Ø6 drillings for angle brackets lifting (angle brackets are optional)		
Body material*	Brass		
Seat materials*	PAI Torlon	PCTFE	Peek
Gasket materials*	Nitrile	FKM	EPDM
Cleaning	Inert Gas procedure MO-PROD0103 / Oxygen procedure MO-PROD0102		
Documentation	2.2 Certificate of Conformity (COC) according to EN 10204		
	General operating instructions		
Finishing's on demand	Drilled pressure gauge port		
Options	Mounting brackets		
	Flanges : Welded BW or Screwed BSPP (please refer to <i>Range of connectors</i> technical data sheet n°9111)		

* others by request

Recommendation : we advise one sets the upstream filtration at 25µm minimum.
Please, refer to the "Filter" data sheet n°2221.

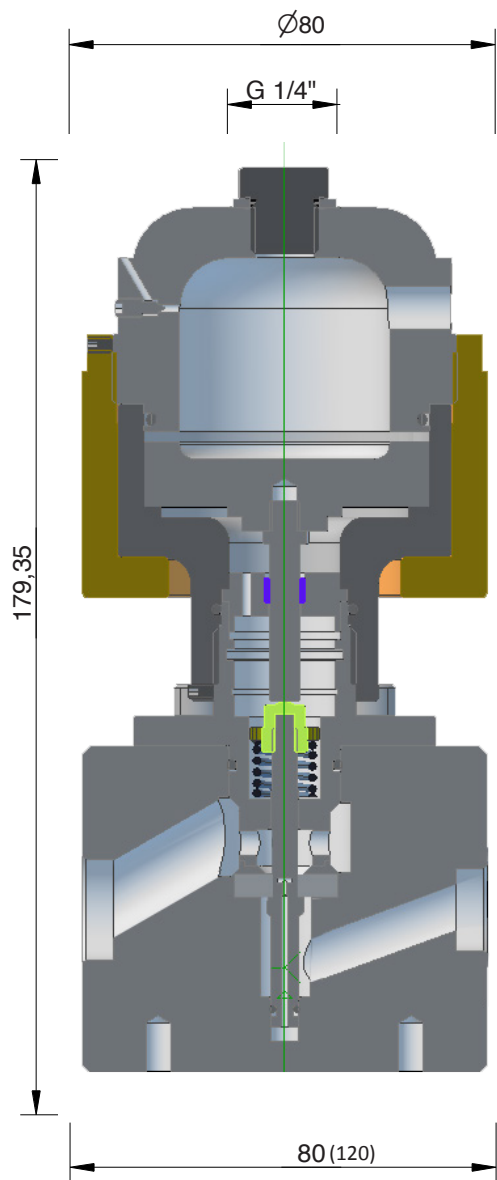
Dome-loaded
proportional regulator
Size1/HP/Brass

alcrysafe®

Data
Sheet
n°1321

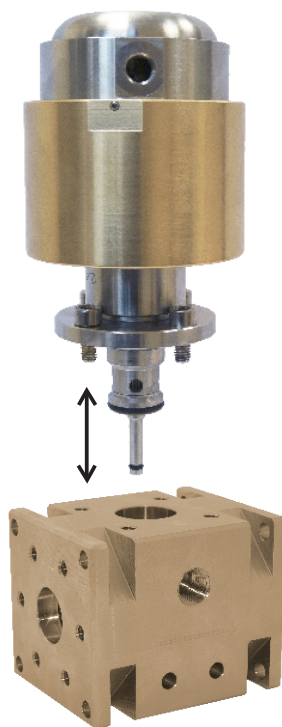
v.10-2014

drawing



f

fast&safe maintenance



Maintenance cartridge

Safety, speed and cost-effective.
On-site maintenance only takes a few minutes !

Designed under our **Comprehensive Safety norm** guarantees performance and comprehensive safety of the installation (refer to *Alcrysafe® range* technical notice)

The Fast&safe maintenance cartridges offer unlimited scalability !

The regulation function, provided by the proportional regulator in this case can be easily reconfigured (dome-loaded, spring-loaded or multi-range regulator) to respond to new requirements for the installation.

Order references

Standard configuration : Proportional regulator - AMD1HB1002
Fast&safe cartridge - CMD1HS-002

Please refer to the table below for other Pressurised Equipment and cartridge configurations :

Gaskets	Nitrile	FKM	EPDM
Seat			
PAI	standard configuration	ref. + TV	ref. + TE
PCTFE	ref. + KN	ref. + KV	ref. + KE
Peek	ref. + PN	ref. + PV	ref. + PE

Compatible gases*

- Inert Gases
- Flammable Gases
- Oxidizing Gases
- Toxic Gases

* Please, refer to one of our engineers



Size1/HP/Brass

Dome-loaded
proportional regulator

alcrys safe®

Data
Sheet
n°1321

v.1/10-2014