

Scalable  
Modular  
Solution **Integrated**  
Safe  
Cost-effective

## Application

Designed for High-Pressure gas uses, the Alcrysafe® Solenoid valve 2/2 can be employed in conjunction with the whole range of gases and liquids compatible with the component materials. However some specific on-site installation factors can limit possible uses of the Solenoid valve.

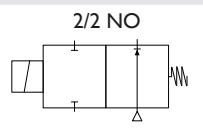
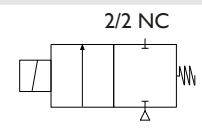
## function

A Solenoid valve is a component where an electrical command permits or prevents fluid circulation in total safety.

## Technology

**Pressure-balanced poppet** : the poppet is balanced to atmospheric pressure allowing a low operating torque even at maximum operating pressure  
**Sealing** : the direct-acting and conical shape of the pressure balanced poppet provides exceptional sealing for High Pressure Gases.

## Technical data

<b>Working pressure</b>	370 bars maxi	5360 psi maxi	
<b>Temperature range</b>	-20°C / +70°C		-4°F / +158°F
<b>Inlet port</b>	1/4" F BSPP	3/8" F BSPP	1/2" F BSPP
<b>Outlet port</b>	1/4" F BSPP	3/8" F BSPP	1/2" F BSPP
<b>Seat size</b>	6,4 mm		
<b>Function</b>			
<b>DN (Nominal Diameter)</b>	12		
<b>Voltage</b>	24 VDC - 230 VAC*		
<b>Power consumption</b>	2 A		
<b>Pressure gauge port</b>	2x 1/4" BSPP pre-tapped		
<b>Mounting</b>	All mounting positions possible		
	Allows integration with Alcrysafe® modular systems		



# Solenoid valve

## 2/2 NC

### Size 1/HP/Stainless steel

**alcrysafe®**

The Alcrysafe® Pressurised Equipment range has been developed in our in-house R&D team. Technical expertise and innovation combined to provide optimal performance and security standards for your high pressure industrial gas applications.

<b>Weight</b>	3,4 kg		
<b>Brackets</b>	Two tapped M6x8 on the underside face		
	Four Ø6 ports for bracket mounting (brackets optional)		
<b>Body material*</b>	Stainless steel 1.4404		
<b>Seat materials*</b>	PAI Torlon	PCTFE	Peek
<b>Gasket materials*</b>	Nitrile	FKM	EPDM
<b>Cleaning</b>	Inert Gas procedure MO-PROD0103		
<b>Documentation</b>	2.2 Certificate of Conformity (COC) according to EN 10204		
	General operating instructions		
<b>Finishing's on demand</b>	Drilled pressure gauge port		
<b>Options</b>	Mounting brackets		
	Flanges : Welded BW or Screwed BSPP (please refer to <i>Range of connectors</i> technical data sheet n°9111)		

\* others by request

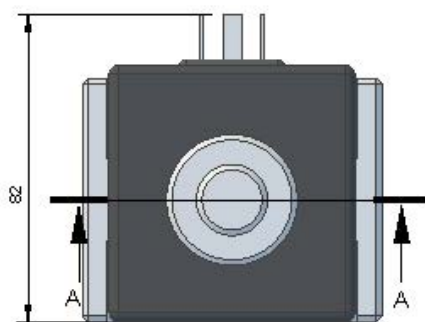
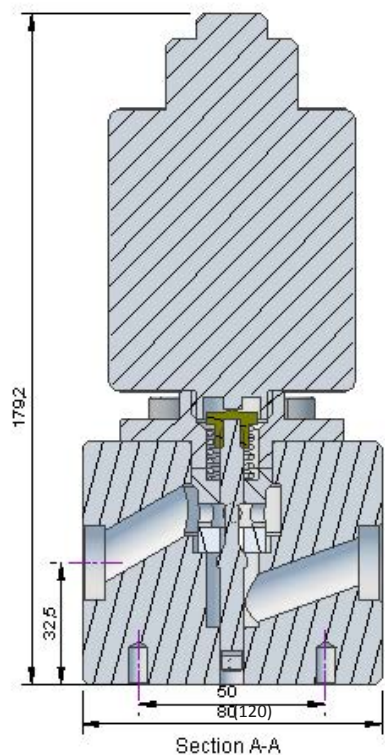
Solenoid valve 2/2 NC  
Size 1/HP/Stainless steel



Data Sheet  
n°3211

v.1/10-2014

# drawings



# fast&safe maintenance



## Maintenance cartridge

Safety, speed and cost-effective.

On-site maintenance only takes a few minutes !

Designed under our **Comprehensive Safety norm** guarantees performance and comprehensive safety of the installation (refer to Alcrysafe® range technical notice)

## The Fast&safe maintenance cartridges offer unlimited scalability !



The shut-off function, provided by the solenoid valve 2/2 in this case can be easily reconfigured (manual needle, pneumatic-actuated control or solenoid valve, 2/2 or 3/2,) to respond to new requirements for the installation.

## Order references

Standard configuration : Solenoid valve 2/2 - AEVIHS1001  
Fast&safe cartridge - CEVIHS-001

Please refer to the table below for other Pressurised Equipment and cartridge configurations :

Gaskets	Nitrile	FKM	EPDM
<b>Seat</b>			
PAI	standard configuration	ref. + TV	ref. + TE
PCTFE	ref. + KN	ref. + KV	ref. + KE
Peek	ref. + PN	ref. + PV	ref. + PE

## Compatible gases\*

- Inert Gases
  - Toxic and Corrosive Gases
- \* Please, refer to one of our engineers



Solenoid valve 2/2 NC  
Size I/HP/Stainless steel

alcrysafe®

v.1/10-2014

Data Sheet  
n°3211