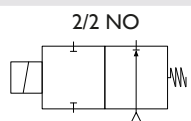
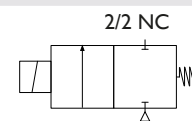


Scalable
Modular
Solution **Integrated**
Safe
Cost-effective

Application

Designed for High-Pressure gas uses, the Alcrysafe® Solenoid valve 2/2 can be employed in conjunction with the whole range of gases and liquids compatible with the component materials. However some specific on-site installation factors can limit possible uses of the Solenoid valve.

Technical data

Working pressure	370 bars maxi	5360 psi maxi	
Temperature range	-20°C / +70°C		-4°F / +158°F
Inlet port	1/4" F BSPP	3/8" F BSPP	1/2" F BSPP
Outlet port	1/4" F BSPP	3/8" F BSPP	1/2" F BSPP
Seat size	6,4 mm		
Function			
DN (Nominal Diameter)	12		
Voltage	24 VDC - 230 VAC*		
Power consumption	2 A		
Pressure gauge port	2x 1/4" BSPP pre-tapped		
Mounting	All mounting positions possible		
	Allows integration with Alcrysafe® modular systems		

function

A Solenoid valve is a component where an electrical command permits or prevents fluid circulation in total safety.

Technology

Pressure-balanced poppet : the poppet is balanced to atmospheric pressure allowing a low operating torque even at maximum operating pressure
Sealing : the direct-acting and conical shape of the pressure balanced poppet provides exceptional sealing for High Pressure Gases.



Solenoid valve

2/2 NC

Size1/HP/Brass



The Alcrysafe® Pressurised Equipment range has been developed in our in-house R&D team. Technical expertise and innovation combined to provide optimal performance and security standards for your high pressure industrial gas applications.

Weight	3,6 kg		
Brackets	Two tapped M6x8 on the underside face		
	Four Ø6 ports for bracket mounting (brackets optional)		
Body material*	Brass		
Seat materials*	PAI Torlon	PCTFE	Peek
Gasket materials*	Nitrile	FKM	EPDM
Cleaning	Inert Gas procedure MO-PROD0103/ Oxygen procedure MO-PROD0102		
Documentation	2.2 Certificate of Conformity (COC) according to EN 10204		
	General operating instructions		
Finishing's on demand	Drilled pressure gauge port		
Options	Mounting brackets		
	Flanges : Welded BW or Screwed BSPP (please refer to <i>Range of connectors</i> technical data sheet n°9111)		

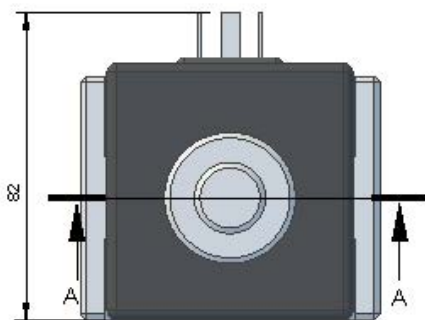
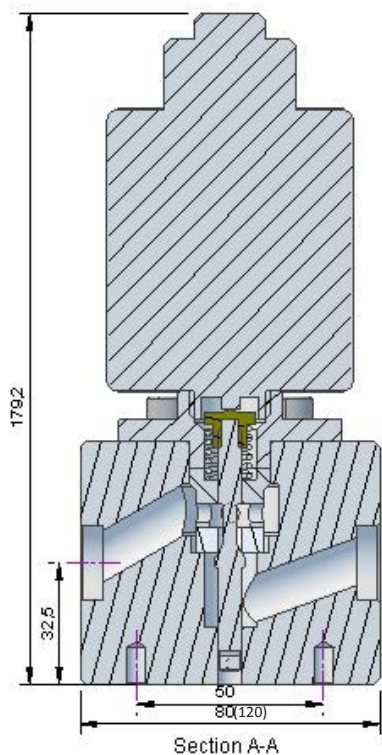
* others by request

Solenoid valve 2/2 NC
Size1/HP/Brass



Data Sheet
n°3221
v.1/10-2014

Drawings



fast&safe maintenance



Maintenance cartridge

Safety, speed and cost-effective.

On-site maintenance only takes a few minutes !

Designed under our **Comprehensive Safety norm** guarantees performance and comprehensive safety of the installation (refer to Alcrysafe® range technical notice)

The Fast&safe maintenance cartridges offer unlimited scalability !



The shut-off function, provided by the solenoid valve 2/2 in this case can be easily reconfigured (manual needle, pneumatic-actuated control or solenoid valve, 2/2 or 3/2,) to respond to new requirements for the installation.

Order references

Standard configuration : Solenoid valve 2/2 - AEVIHB1001
Fast&safe cartridge - CEVIHS-001

Please refer to the table below for other Pressurised Equipment and cartridge configurations :

Gaskets	Nitrile	FKM	EPDM
Seat			
PAI	standard configuration	ref. + TV	ref. + TE
PCTFE	ref. + KN	ref. + KV	ref. + KE
Peek	ref. + PN	ref. + PV	ref. + PE

Compatible gases*

- Inert Gases
- Oxidizing Gases
- Toxic Gases

* Please, refer to one of our engineers



Solenoid valve 2/2 NC
Size1/HP/Brass

alcrysafe®

Data Sheet
n°3221

v.1/10-2014