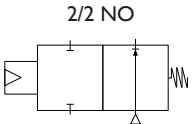
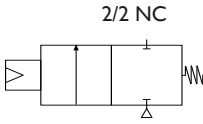


Scalable
Modular
Integrated
Safe
Cost-effective

Function

The Alcrysafe® Pneumatic actuated control valve is a component which permits or prevents fluid circulation in total safety.

Technical data

Working pressure	370 bars maxi	5360 psi maxi	
Temperature range	-20°C / +70°C	-4°F / +158°F	
Inlet port	1/4" F BSPP	3/8" F BSPP	1/2" F BSPP
Outlet port	1/4" F BSPP	3/8" F BSPP	1/2" F BSPP
Seat size	6,4 mm		
Function			
DN (Nominal Diameter)	12		
Pressure gauge port	2x 1/4" BSPP pre-tapped		
Actuator pressure	5 to 8 bars	72 to 116 psi	
Mounting	All mounting positions possible Allows integration with Alcrysafe® modular systems		

Application

Designed for High Pressure gas uses, the Pneumatic actuated control valve 2/2 NC can be employed in conjunction with the whole range of gas and liquids compatible with the component materials. Actuated with low pressure, this valve is especially appropriate for use in environments where electrical controls cannot be used.

Technology

Balanced poppet : the valve is balanced to atmospheric pressure which makes possible low pressure control.
Actuator pressure : 5 to 8 bars.



Pneumatic actuated control valve 2/2 NC Size1/HP/Stainless steel

alcrysafe®

The Alcrysafe® Pressurised Equipment range has been developed in our in-house R&D team. Technical expertise and innovation combined to provide optimal performance and security standards for your high pressure industrial gas applications.

Weight	2,3 kg		
Brackets	Two tapped M6x8 on the underside face Four Ø6 ports for bracket mounting (brackets optional)		
Body material*	Stainless steel 1.4404		
Seat materials*	PAI Torlon	PCTFE	Peek
Gasket materials*	Nitrile	FKM	EPDM
Cleaning	Inert Gas procedure MO-PROD0103		
Documentation	2.2 Certificate of Conformity (COC) according to EN 10204 General operating instructions		
Finishing's on demand	Drilled pressure gauge port Mounting brackets		
Options	Flanges : Welded BW or Screwed BSPP (please refer to <i>Range of connectors</i> technical data sheet n°9111)		

* others by request

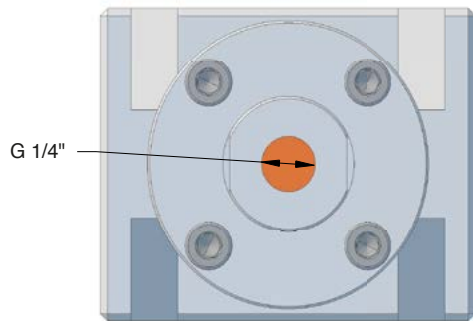
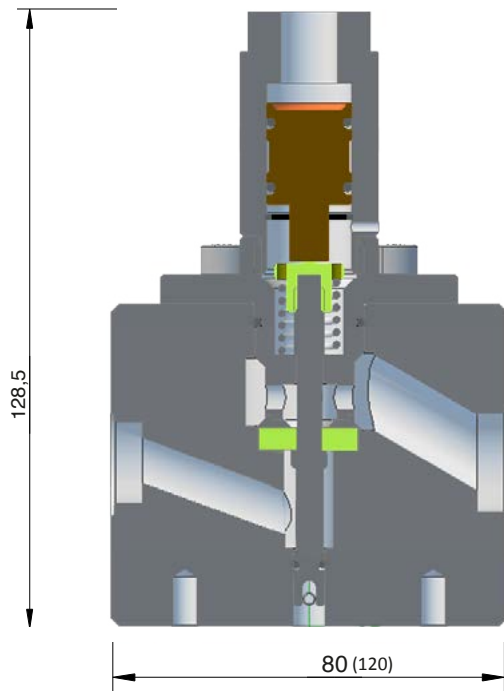
Pneumatic actuated control valve 2/2 NC
Size1/HP/Stainless steel

alcrysafe®

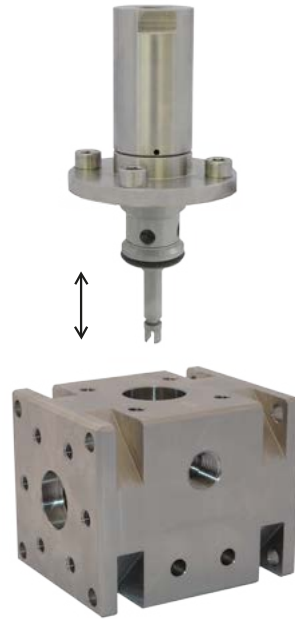
Data Sheet
n°3411

v.1/10-2014

Drawings



Fast&safe maintenance



Maintenance cartridge
Safety, speed and cost-effective.
On-site maintenance only takes a few minutes !

Designed under our **Comprehensive Safety norm** guarantees performance and comprehensive safety of the installation (refer to *Alcrysafe®* range technical notice)

The Fast&safe maintenance cartridges offer unlimited scalability !

The shut-off function provided by the pneumatic actuated control valve 2/2 NC in this case can be easily reconfigured (manual needle, solenoid or pneumatic actuated control valve, 2/2 or 3/2) to respond to new requirements for the installation.

Order references

Standard configuration : Pneumatic actuated control valve 2/2 - APVIHS1001
Fast&safe cartridge - CPVIHS-001

Please refer to the table below for other Pressurised Equipment and cartridge configurations :

Gaskets	Nitrile	FKM	EPDM
Seat			
PAI	standard configuration	ref. + TV	ref. + TE
PCTFE	ref. + KN	ref. + KV	ref. + KE
Peek	ref. + PN	ref. + PV	ref. + PE

Compatible gases*

- Inert Gases
- Flammable Gases
- Toxic and Corrosive Gases

* Please, refer to one of our engineers



Pneumatic actuated
control valve 2/2 NC
Size I/HP/Stainless steel

alcrysafe®

Data
Sheet
n°3411

v.1/10-2014