

Scalable  
Modular  
Integrated  
Safe  
Cost-effective

## Function

The Alcrysafe® Pneumatic actuated control valve is a component which permits or prevents fluid circulation in total safety.

## Application

Designed for High Pressure gas uses, the Pneumatic actuated control valve 2/2 NC can be employed in conjunction with the whole range of gas and liquids compatible with the component materials. Actuated with low pressure, this valve is especially appropriate for use in environments where electrical controls cannot be used.

## Technology

**Balanced poppet** : the valve is balanced to atmospheric pressure which makes possible low pressure control.

**Actuator pressure** : 5 to 8 bars.



## Pneumatic actuated control valve 2/2 NC

Size1/HP/Brass

alcrysafe®

The Alcrysafe® Pressurised Equipment range has been developed in our in-house R&D team. Technical expertise and innovation combined to provide optimal performance and security standards for your high pressure industrial gas applications.

## Technical data

<b>Working pressure</b>	370 bars maxi	5360 psi maxi	
<b>Temperature range</b>	-20°C /+70°C	-4°F / +158°F	
<b>Inlet port</b>	1/4" F BSPP	3/8" F BSPP	1/2" F BSPP
<b>Outlet port</b>	1/4" F BSPP	3/8" F BSPP	1/2" F BSPP
<b>Seat size</b>	6,4 mm		
<b>Function</b>			
<b>DN (Nominal Diameter)</b>	12		
<b>Pressure gauge port</b>	2x 1/4" BSPP pre-tapped		
<b>Actuator pressure</b>	5 to 8 bars	72 to 116 psi	
<b>Mounting</b>	All mounting positions possible		
	Allows integration with Alcrysafe® modular systems		

<b>Weight</b>	2,5 kg		
<b>Brackets</b>	Two tapped M6x8 on the underside face Four Ø6 ports for bracket mounting (brackets optional)		
<b>Body material*</b>	Brass		
<b>Seat materials*</b>	PAI Torlon	PCTFE	Peek
<b>Gasket materials*</b>	Nitrile	FKM	EPDM
<b>Cleaning</b>	Inert Gas procedure MO-PROD0103/ Oxygen procedure MO-PROD0102		
<b>Documentation</b>	2.2 Certificate of Conformity (COC) according to EN 10204 General operating instructions		
<b>Finishing's on demand</b>	Drilled pressure gauge port		
<b>Options</b>	Mounting brackets Flanges : Welded BW or Screwed BSPP (please refer to <i>Range of connectors</i> technical data sheet n°9111)		

\* others by request

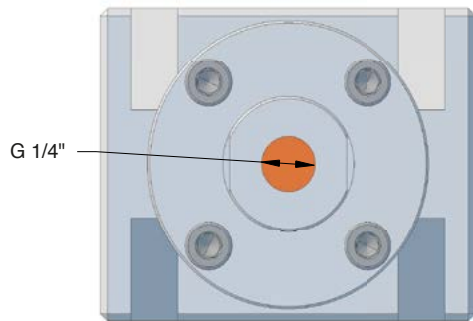
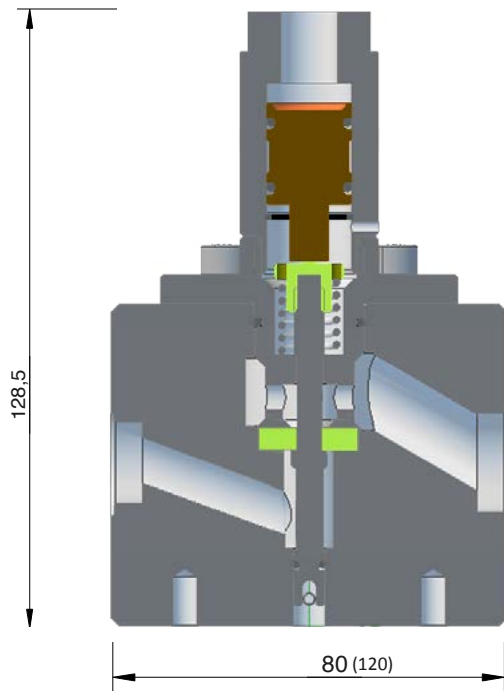
Pneumatic actuated control valve 2/2 NC  
Size1/HP/Brass

alcrysafe®

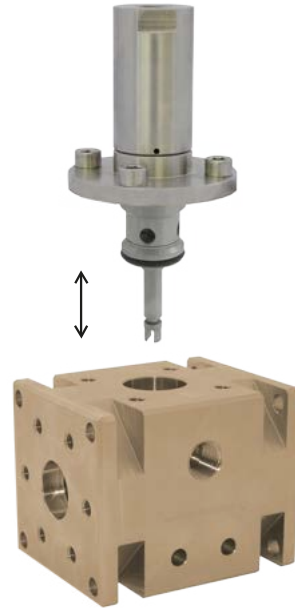
Data Sheet  
n°3421

v.1/10-2014

## Drawings



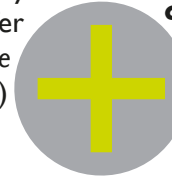
## Fast&safe maintenance



**Maintenance cartridge**  
Safety, speed and cost-effective.  
On-site maintenance  
only takes a few minutes !

Designed under our **Comprehensive Safety norm** guarantees performance and comprehensive safety of the installation (refer to *Alcrysafé®* range technical notice)

**The Fast&safe maintenance cartridges offer unlimited scalability !**



The shut-off function provided by the pneumatic actuated control valve 2/2 NC in this case can be easily reconfigured (manual needle, solenoid or pneumatic actuated control valve, 2/2 or 3/2) to respond to new requirements for the installation.

## Order references

Standard configuration : Pneumatic actuated control valve 2/2 - APVIHB1001  
Fast&safe cartridge - CPVIHS-001

Please refer to the table below for other Pressurised Equipment and cartridge configurations :

Gaskets	Nitrile	FKM	EPDM
<b>Seat</b>			
PAI	standard configuration	ref. + TV	ref. + TE
PCTFE	ref. + KN	ref. + KV	ref. + KE
Peek	ref. + PN	ref. + PV	ref. + PE

## Compatible gases\*

- Inert Gases
  - Flammable Gases
  - Oxidizing Gases
  - Toxic Gases
- \* Please, refer to one of our engineers



Size1/HP/Brass

Pneumatic actuated  
control valve 2/2 NC

alcrysafé®

Data  
Sheet  
n°3421

v.1/10-2014