

Scalable
Modular
Integrated
Safe
Cost-saving

Function

A non-return valve functions to prevent fluid (liquid or gas) flowing against the desired direction of the installation as this can lead to component deterioration, or unwanted mixing of the fluids in use and can cause substantial damage.

Technical data

Working pressure	370 bars maxi	5360 psi maxi	
Temperature range	-20°C / +70°C	-4°F / +158°F	
Inlet port	1/4" F BSPP	3/8" F BSPP	1/2" F BSPP
Outlet port	1/4" F BSPP	3/8" F BSPP	1/2" F BSPP
Seat size	12 mm		
DN (Nominal Diameter)	12		
Pressure gauge port	2x 1/4" BSPP pre-tapped		
Mounting	All mounting positions possible		
	Allows integration with Alcrysafe® modular systems		
Weight	2,3 kg		

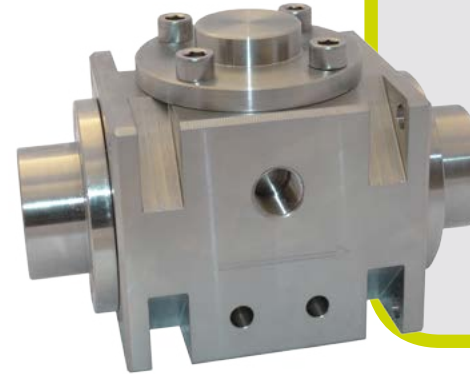
Application

Designed for High-Pressure gas uses, the Alcrysafe® Non-return valve can be employed in conjunction with the whole range of gases and liquids compatible with the component materials.

However some specific on-site installation factors can limit possible uses of the non-return valve.

Technology

Resistance and sealing tailored for High Pressure gas installations : **sealing PAI valve on stainless steel base unit.**



Non-return valve Size1/HP/Stainless steel

alcrysafe®

The Alcrysafe® Pressurised Equipment range has been developed in our in-house R&D team. Technical expertise and innovation combined to provide optimal performance and security standards for your high pressure industrial gas applications.

Brackets	Two tapped M6x8 on the underside face		
	Four Ø6 ports for bracket mounting (brackets optional)		
Body material*	Stainless steel 1.4404		
Seat material*	Stainless steel 1.4404		
Valve material*	PAI		
Gasket materials*	Nitrile	FKM	EPDM
	Inert Gas procedure MO-PROD0103		
Cleaning	2.2 Certificate of Conformity (COC) according to EN 10204		
Documentation	General operating instructions		
	Drilled pressure gauge port		
Finishing's on demand	Mounting brackets		
	Flanges : Welded BWV or Screwed BSPP (please refer to <i>Range of connectors</i> technical data sheet n°9111)		
Options			

* others by request

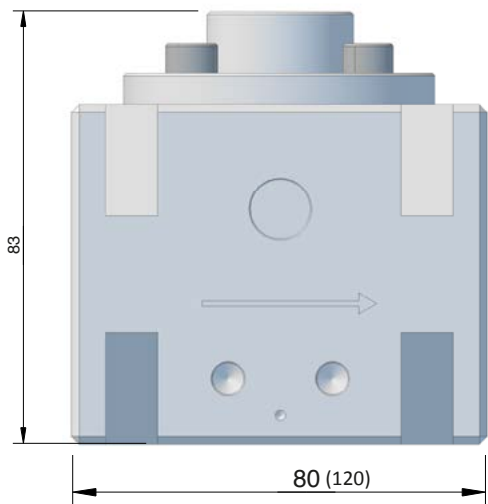
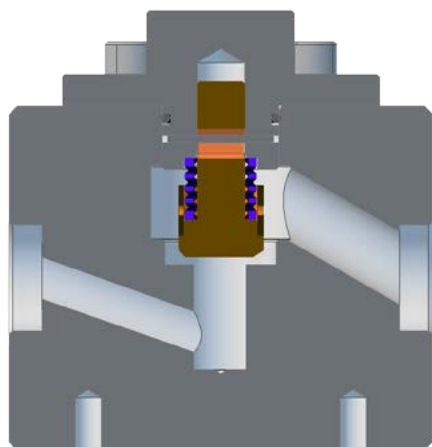
Non-return valve
Size1/HP/Stainless steel

alcrysafe®

Data
Sheet
n°5111

v.1/10-2014

Drawings

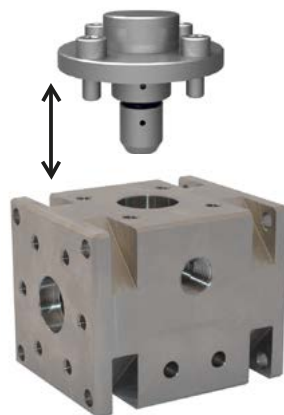


Fast&safe maintenance

Maintenance cartridge

Safety, speed and cost-effective.

On-site maintenance only takes a few minutes !



Designed under our **Comprehensive Safety norm** guarantees performance and comprehensive safety of the installation (refer to *Alcrysafe®* range technical notice)

The Fast&safe maintenance cartridges offer unlimited scalability !

The non-return function, provided by the non-return valve in this case can be easily reconfigured to respond to new requirements for the installation and become a Pressure regulator (dome-loaded, proportional, spring-loaded or multi-range) or a Filter (10, 25 ou 40 μ m filtering cartridge).

Order references

Non-return valve - standard configuration (alternative configurations on demand)	ACVIHS1001
Fast&safe cartridge	CCVIHS-001

Compatible gases*

- Inert Gases
- Flammable Gases
- Toxic and Corrosive Gases

* Please, refer to one of our engineers

