

Scalable  
Modular  
Solution  
Integrated  
Safe  
Cost-saving

## Function

A non-return valve functions to prevent fluid (liquid or gas) flowing against the desired direction of the installation as this can lead to component deterioration, or unwanted mixing of the fluids in use and can cause substantial damage.

## Technical data

<b>Working pressure</b>	370 bars maxi	5360 psi maxi	
<b>Temperature range</b>	-20°C / +70°C	-4°F / +158°F	
<b>Inlet port</b>	1/4" F BSPP	3/8" F BSPP	1/2" F BSPP
<b>Outlet port</b>	1/4" F BSPP	3/8" F BSPP	1/2" F BSPP
<b>Seat size</b>	12 mm		
<b>DN (Nominal Diameter)</b>	12		
<b>Pressure gauge port</b>	2x 1/4" BSPP pre-tapped		
<b>Mounting</b>	All mounting positions possible		
	Allows integration with Alcrysafe® modular systems		
<b>Weight</b>	2,5 kg		

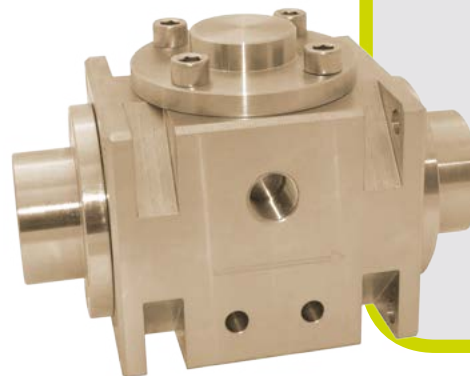
## Application

Designed for High-Pressure gas uses, the Alcrysafe® Non-return valve can be employed in conjunction with the whole range of gases and liquids compatible with the component materials.

However some specific on-site installation factors can limit possible uses of the non-return valve.

## Technology

Resistance and sealing tailored for High Pressure gas installations : **sealing PAI valve on stainless steel base unit.**



## Non-return valve

Size1/HP/Brass

alcrysafe®

The Alcrysafe® Pressurised Equipment range has been developed in our in-house R&D team. Technical expertise and innovation combined to provide optimal performance and security standards for your high pressure industrial gas applications.

<b>Brackets</b>	Two tapped M6x8 on the underside face		
	Four Ø6 ports for bracket mounting (brackets optional)		
<b>Body material*</b>	Brass		
<b>Seat material*</b>	Stainless steel 1.4404		
<b>Valve material*</b>	PAI		
<b>Gasket materials*</b>	Nitrile	FKM	EPDM
<b>Cleaning</b>	Inert Gas procedure MO-PROD0103/ Oxygen procedure MO-PROD0102		
<b>Documentation</b>	2.2 Certificate of Conformity (COC) according to EN 10204		
	General operating instructions		
<b>Finishing's on demand</b>	Drilled pressure gauge port		
<b>Options</b>	Mounting brackets		
	Flanges : Welded BWV or Screwed BSPP (please refer to <i>Range of connectors</i> technical data sheet n°9111)		

\* others by request

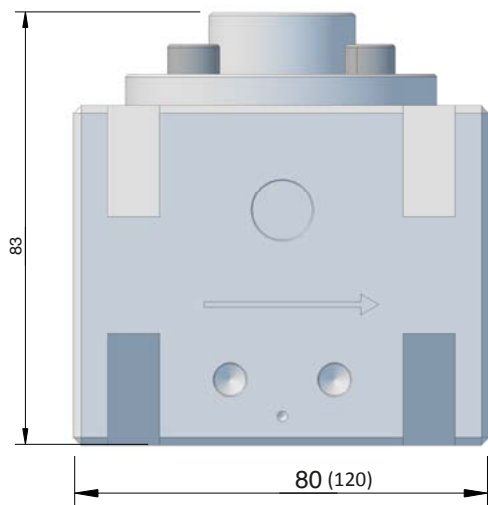
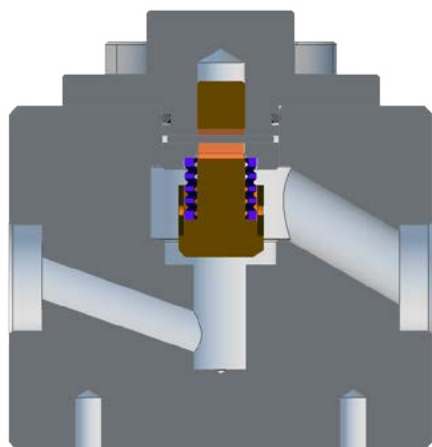
Non-return valve  
Size1/HP/Brass

alcrysafe®

Data  
Sheet  
n°5121

v.1/10-2014

## Drawings

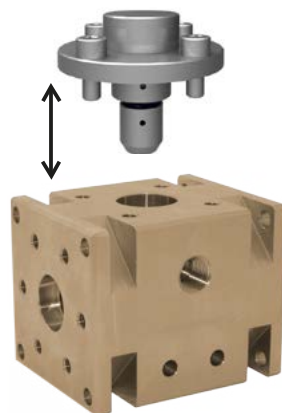


## Fast&safe maintenance

### Maintenance cartridge

Safety, speed and cost-effective.

On-site maintenance only takes a few minutes !



## Order references

Non-return valve - standard configuration (alternative configurations on demand)	ACVIHB1001
Fast&safe cartridge	CCVIHS-001



Designed under our **Comprehensive Safety norm** guarantees performance and comprehensive safety of the installation (refer to *Alcrysafe®* range technical notice)

### The Fast&safe maintenance cartridges offer unlimited scalability !

The non-return function, provided by the non-return valve in this case can be easily reconfigured to respond to new requirements for the installation and become a Pressure regulator (dome-loaded, proportional, spring-loaded or multi-range) or a Filter (10, 25 ou 40 $\mu$ m filtering cartridge).

## Compatible gases\*

- Inert Gases
- Flammable Gases
- Oxidizing Gases
- Toxic Gases

\* Please, refer to one of our engineers