

Scalable  
Modular  
Solution **Integrated**  
Safe  
Cost-effective

## Technology

### Operating Control Ratio 1/1

**Balanced poppet** : any effects of inlet pressure loss on outlet pressure is considerably reduced.

<sup>1</sup> in accordance with the formula (2P+1) : PE = 2P + 1 bar  
Please, consult us if this principle is not applicable

## function

A dome-loaded regulator enables the operator to determine an outlet pressure, within its operating limits, which is kept constant despite any variations in outlet flow rates<sup>1</sup>.

## Application

Designed for High-Pressure gas uses, the Alcrysafe® dome-loaded regulator can be employed in conjunction with the whole range of gases and liquids compatible with the component materials. However, some specific on-site installation factors can limit possible uses of the pressure regulator.



## Dome-loaded regulator

Size1/HP/Stainless steel

alcrysafe®

The Alcrysafe® Pressurised Equipment range has been developed in our in-house R&D team. Technical expertise and innovation combined to provide optimal performance and security standards for your high pressure industrial gas applications.

## Technical data

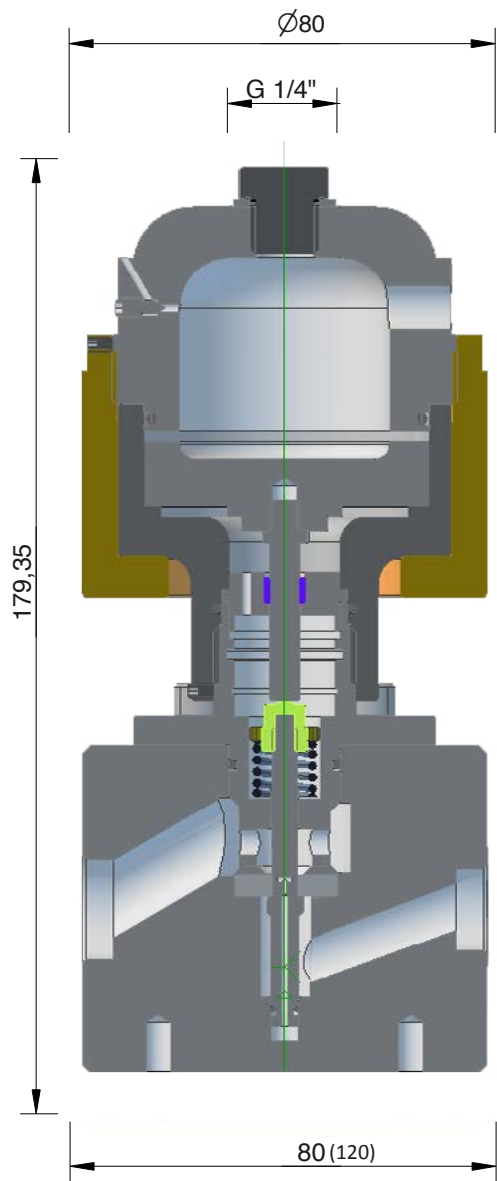
<b>Working pressure</b>	370 bars maxi		5360 psi maxi
<b>Pressure control range</b>	up to 300 bars		up to 4350 psi
<b>Temperature range</b>	-20°C / +70°C		-4°F / +158°F
<b>Inlet port</b>	1/4" F BSPP	3/8" F BSPP	1/2" F BSPP
<b>Outlet port</b>	1/4" F BSPP	3/8" F BSPP	1/2" F BSPP
<b>Seat size</b>	1,5 mm (non-balanced)	3 mm	5,4 mm
<b>DN (Nominal Diameter)</b>	12		
<b>Pressure gauge port</b>	2x 1/4" BSPP pre-tapped		
<b>Mounting</b>	All mounting positions possible		
	Allows integration with Alcrysafe® modular systems		
<b>Weight</b>	5 kg		

<b>Brackets</b>	Two tapped M6x8 on the underside face		
	Four Ø6 drillings for angle brackets lifting (angle brackets are optional)		
<b>Body material*</b>	Stainless steel 1.4404		
<b>Seat materials*</b>	PAI Torlon	PCTFE	Peek
<b>Gasket materials*</b>	Nitrile	FKM	EPDM
<b>Cleaning</b>	Inert Gas procedure MO-PROD0103		
<b>Documentation</b>	2.2 Certificate of Conformity (COC) according to EN 10204		
	General operating instructions		
<b>Finishing's on demand</b>	Drilled pressure gauge port		
<b>Options</b>	Mounting brackets		
	Flanges : Welded BW or Screwed BSPP (please refer to <i>Range of connectors</i> technical data sheet n°9111)		

\* others by request

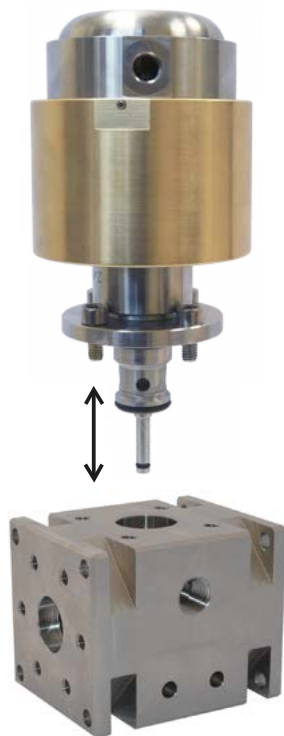
**Recommendation** : we advise one sets the upstream filtration at 25µm minimum. Please, refer to the "Filter" data sheet n°2211.

# drawing



# f

## ast&safe maintenance



### Maintenance cartridge

Safety, speed and cost-effective.  
On-site maintenance only takes a few minutes !

Designed under our **Comprehensive Safety norm** guarantees performance and comprehensive safety of the installation (refer to *Alcrysafe®* range technical notice)

### The Fast&safe maintenance cartridges offer unlimited scalability !

The regulation function, provided by the dome-loaded regulator in this case can be easily reconfigured (proportional, spring-loaded or multi-range regulator) to respond to new requirements for the installation.

### Order references

Standard configuration : Dome-loaded regulator - ARDIHS1002  
Fast&safe cartridge - CRDIHS-002

Please refer to the table below for other Pressurised Equipment and cartridge configurations :

Gaskets	Nitrile	FKM	EPDM
<b>Seat</b>			
<b>PAI</b>	standard configuration	ref. + TV	ref. + TE
<b>PCTFE</b>	ref. + KN	ref. + KV	ref. + KE
<b>Peek</b>	ref. + PN	ref. + PV	ref. + PE

### Compatible gases\*

- Inert Gases
- Flammable Gases
- Toxic and Corrosive Gases

\* Please, refer to one of our engineers

