

Scalable
Modular
Integrated
Safe
Cost-effective

Application

Designed for High-Pressure gas uses, The Alcrysafe® spring-loaded regulator can be employed in conjunction with the whole range of gases and liquids compatible with the component materials.

However, some specific on-site installation factors can limit possible uses of the pressure regulator.

¹ in accordance with the formula (2P+1) : PE = 2P + 1 bar
Please, consult us if this principle is not applicable

Technical data

Working pressure	370 bars maxi		5360 psi maxi
Pressure control range	up to 285 bars		up to 4130 psi
Temperature range	-20°C / +70°C		-4°F / +158°F
Inlet port	1/4" F BSPP	3/8" F BSPP	1/2" F BSPP
Outlet port	1/4" F BSPP	3/8" F BSPP	1/2" F BSPP
Seat size	1,5 mm (non-balanced)	3 mm	5,4 mm
DN (Nominal Diameter)	12		
Pressure gauge port	2x 1/4" BSPP pre-tapped		
Mounting	All mounting positions possible		
	Allows integration with Alcrysafe® modular systems		
Weight	6 kg		

function

A spring-loaded regulator controls the operator specified outlet pressure keeping it constant over a range of inlet pressures, within the limits of its technical characteristics¹.

Technology

Spring-loaded adjustment setting

Balanced poppet : any effects of inlet pressure loss on outlet pressure is considerably reduced.

Sensing element piston Ø49



Spring-loaded regulator

Size1/HP/Stainless steel

alcrysafe®

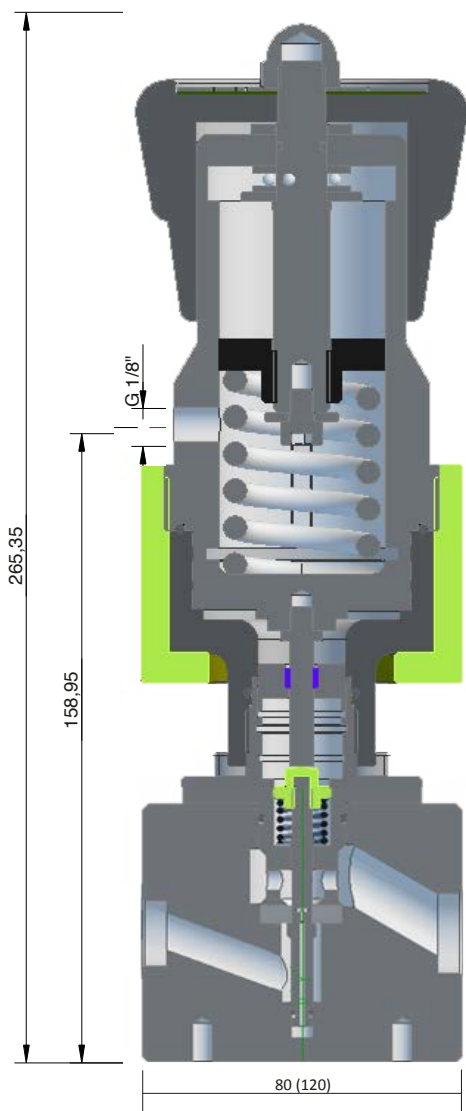
The Alcrysafe® Pressurised Equipment range has been developed in our in-house R&D team. Technical expertise and innovation combined to provide optimal performance and security standards for your high pressure industrial gas applications.

Brackets	Two tapped M6x8 on the underside face		
	Four Ø6 ports for bracket mounting (brackets optional)		
Body material*	Stainless steel 1.4404		
Seat materials*	PAI Torlon	PCTFE	Peek
Gasket materials*	Nitrile	FKM	EPDM
Cleaning	Inert Gas procedure MO-PROD0103		
Documentation	2.2 Certificate of Conformity (COC) according to EN 10204		
	General operating instructions		
Finishing's on demand	Drilled pressure gauge port		
	Automatic decompression		
	Hermetic spring cap		
Options	Mounting brackets		
	Flanges : Welded BW or Screwed BSPP (please refer to <i>Range of connectors</i> technical data sheet n°9111)		

* others by request

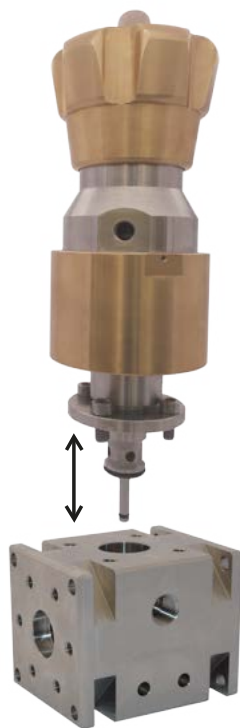
Recommendation : we advise one sets the upstream filtration at 25µm minimum. Please, refer to «Filter» technical data sheet n°2211.

drawing



f

ast&safe maintenance



Maintenance cartridge
 Safety, speed and cost-effective.
 On-site maintenance only takes
 a few minutes !

Designed under our **Comprehensive Safety norm** guarantees performance and comprehensive safety of the installation (refer to Alcrysafe® range technical notice)



The Fast&safe maintenance cartridges offer unlimited scalability !

The regulation function, provided by the spring-loaded regulator in this case can be easily reconfigured (dome-loaded, proportional or multi-range spring-loaded regulator) to respond to new requirements for the installation.

Order references

Standard configuration : Spring-loaded regulator - ARS1HS1001
 Fast&safe cartridge - CRS1HS-001

Please refer to the table below for other Pressurised Equipment and cartridge configurations :

Gaskets	Nitrile	FKM	EPDM
Seat	Nitrile	FKM	EPDM
PAI	standard configuration	ref. + TV	ref. + TE
PCTFE	ref. + KN	ref. + KV	ref. + KE
Peek	ref. + PN	ref. + PV	ref. + PE

Compatible gases*

- Inert Gases
- Flammable Gases
- Toxic and Corrosive Gases

* Please, refer to one of our engineers



Spring-loaded regulator
 Size1/HP/Stainless steel

alcrysafe®

v.1/10-2014

Data Sheet
 n°1411