

Scalable
Modular
Integrated
Safe
Cost-effective

Solution

Application

Designed for High-Pressure gas uses, the Alcrysafe® Manual needle valve can be employed in conjunction with the whole range of gases and liquids compatible with the component materials.

However some specific on-site installation factors can limit possible uses of the Manual needle valve.

function

A Manual needle valve permits or prevents fluid circulation in total safety.

Technology

Pressure-balanced poppet : the poppet is balanced to atmospheric pressure allowing a low operating torque even at maximum operating pressure.

Progressive opening : complete opening is obtained with four turns of the handwheel, a safety guarantee for High-Pressure gas installations.

Non rotative system to ensure reliability and lifetime.



Manual needle valve Size 1/HP/Stainless steel

alcrysafe®

The Alcrysafe® Pressurised Equipment range has been developed in our in-house R&D team. Technical expertise and innovation combined to provide optimal performance and security standards for your high pressure industrial gas applications.

Technical data

Working pressure	370 bars maxi	5360 psi maxi	
Temperature range	-20°C / +70°C	-4°F / +158°F	
Inlet port	1/4" F BSPP	3/8" F BSPP	1/2" F BSPP
Outlet port	1/4" F BSPP	3/8" F BSPP	1/2" F BSPP
Seat size	6,4 mm	10,7 mm	
DN (Nominal Diameter)	12		
Pressure gauge port	2x 1/4" BSPP pre-tapped		
Mounting	All mounting positions possible		
	Allows integration with Alcrysafe® modular systems		
Weight	2,8 kg		

Brackets	Two tapped M6x8 on the underside face		
	Four Ø6 ports for bracket mounting (brackets optional)		
Body material*	Stainless steel 1.4404		
Seat materials*	PAI Torlon	PCTFE	Peek
Gasket materials*	Nitrile	FKM	EPDM
Cleaning	Inert Gas procedure MO-PROD0103		
Documentation	2.2 Certificate of Conformity (COC) according to EN 10204		
	General operating instructions		
Finishing's on demand	Drilled pressure gauge port		
	Lockable		
Options	Mounting brackets		
	Flanges : Welded BW or Screwed BSPP (please refer to <i>Range of connectors</i> technical data sheet n°9111)		

* others by request

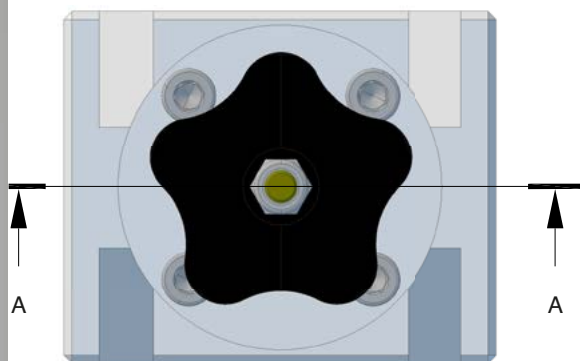
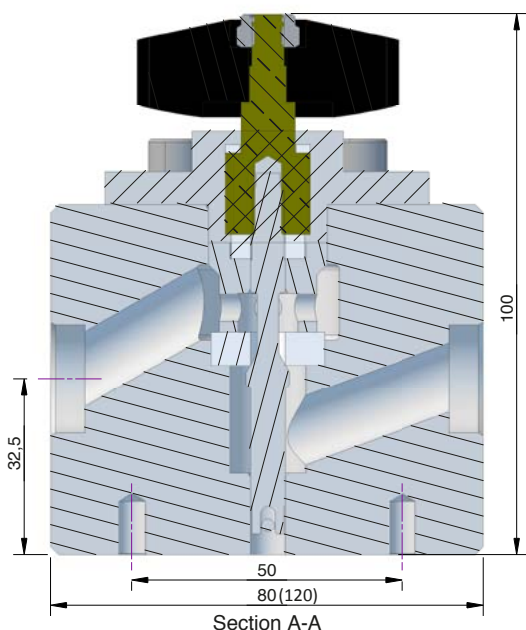
Manual needle valve
Size 1/HP/Stainless steel

alcrysafe®

Data
Sheet
n°3111

v.1/10-2014

drawings



fast&safe maintenance



Maintenance cartridge
Safety, speed and cost-effective.
On-site maintenance
only takes a few minutes !

Designed under our **Comprehensive Safety norm** guarantees performance and comprehensive safety of the installation (refer to Alcrysafe® range technical notice)

The Fast&safe maintenance cartridges offer unlimited scalability !

The shut-off function, provided by the manual needle valve in this case can be easily reconfigured (pneumatic-actuated control or solenoid valve, 2/2 or 3/2) to respond to new requirements for the installation.

Order references

Standard configuration : Manual needle valve - AMVIHS1001
Fast&safe cartridge - CMVIHS-001

Please refer to the table below for other Pressurised Equipment and cartridge configurations :

Gaskets	Nitrile	FKM	EPDM
Seat			
PAI	standard configuration	ref. + TV	ref. + TE
PCTFE	ref. + KN	ref. + KV	ref. + KE
Peek	ref. + PN	ref. + PV	ref. + PE

Compatible gases*

- Inert Gases
- Flammable Gases
- Toxic and Corrosive Gases

* Please, refer to one of our engineers



Manual needle valve
Size 1/HP/Stainless steel

alcrysafe®

Data Sheet
n°3111

v.1/10-2014