

Scalable  
Modular  
Integrated  
Safe  
Cost-effective

Solution

## Application

Designed for High-Pressure gas uses, the Alcrysafe® Manual needle valve can be employed in conjunction with the whole range of gases and liquids compatible with the component materials.

However some specific on-site installation factors can limit possible uses of the Manual needle valve.

## function

A Manual needle valve permits or prevents fluid circulation in total safety.

## Technology

**Pressure-balanced poppet** : the poppet is balanced to atmospheric pressure allowing a low operating torque even at maximum operating pressure.

**Progressive opening** : complete opening is obtained with four turns of the handwheel, a safety guarantee for High-Pressure gas installations.

**Non rotative system** to ensure reliability and lifetime.



## Manual needle valve Size 1/HP/Brass

alcrysafe®

The Alcrysafe® Pressurised Equipment range has been developed in our in-house R&D team. Technical expertise and innovation combined to provide optimal performance and security standards for your high pressure industrial gas applications.

## Technical data

<b>Working pressure</b>	370 bars maxi	5360 psi maxi	
<b>Temperature range</b>	-20°C / +70°C	-4°F / +158°F	
<b>Inlet port</b>	1/4" F BSPP	3/8" F BSPP	1/2" F BSPP
<b>Outlet port</b>	1/4" F BSPP	3/8" F BSPP	1/2" F BSPP
<b>Seat size</b>	6,4 mm	10,7 mm	
<b>DN (Nominal Diameter)</b>	12		
<b>Pressure gauge port</b>	2x 1/4" BSPP pre-tapped		
<b>Mounting</b>	All mounting positions possible		
	Allows integration with Alcrysafe® modular systems		
<b>Weight</b>	2,8 kg		

<b>Brackets</b>	Two tapped M6x8 on the underside face		
	Four Ø6 ports for bracket mounting (brackets optional)		
<b>Body material*</b>	Brass		
<b>Seat materials*</b>	PAI Torlon	PCTFE	Peek
<b>Gasket materials*</b>	Nitrile	FKM	EPDM
<b>Cleaning</b>	Inert Gas procedure MO-PROD0103 / Oxygen procedure MO-PROD0102		
<b>Documentation</b>	2.2 Certificate of Conformity (COC) according to EN 10204		
	General operating instructions		
<b>Finishing's on demand</b>	Drilled pressure gauge port		
	Lockable		
<b>Options</b>	Mounting brackets		
	Flanges : Welded BW or Screwed BSPP (please refer to <i>Range of connectors</i> technical data sheet n°9111)		

\* others by request

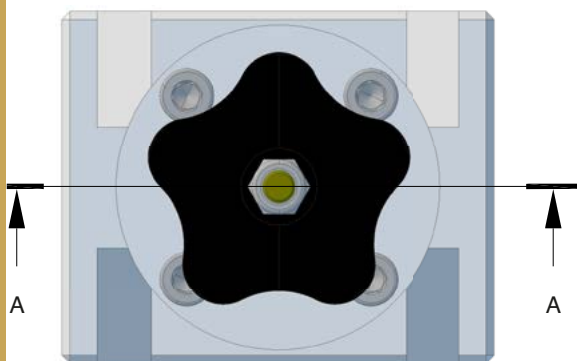
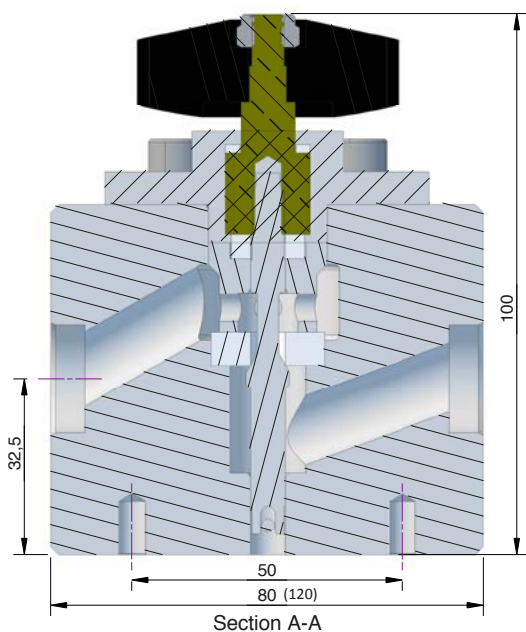
Manual needle valve  
Size 1/HP/Brass

alcrysafe®

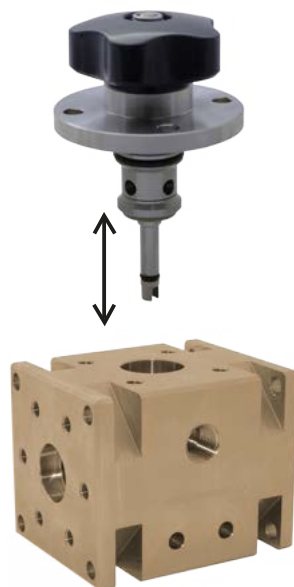
v. 1/10-2014

Data  
Sheet  
n°3121

## Drawings



## Fast&safe maintenance



**Maintenance cartridge**  
Safety, speed and cost-effective.  
On-site maintenance  
only takes a few minutes !

Designed under our **Comprehensive Safety norm** guarantees performance and comprehensive safety of the installation (refer to Alcrysafe® range technical notice)

**The Fast&safe maintenance cartridges offer unlimited scalability !**

The shut-off function, provided by the manual needle valve in this case can be easily reconfigured (pneumatic-actuated control or solenoid valve, 2/2 or 3/2) to respond to new requirements for the installation.

## Order references

Standard configuration : Manual needle valve - AMV1HB1001  
Fast&safe cartridge - CMV1HS-001

Please refer to the table below for other Pressurised Equipment and cartridge configurations :

Gaskets	Nitrile	FKM	EPDM
<b>Seat</b>			
PAI	standard configuration	ref. + TV	ref. + TE
PCTFE	ref. + KN	ref. + KV	ref. + KE
Peek	ref. + PN	ref. + PV	ref. + PE

## Compatible gases\*

- Inert Gases
- Flammable Gases
- Oxidizing Gases
- Toxic Gases

\* Please, refer to one of our engineers



Manual needle valve  
Size1/HP/Brass

alcrysafe®

Data Sheet  
n°3121

v.1/10-2014