

Scalable
Modular
Solution Integrated
Safe
Cost-effective

function

Alcrysafe® filters are designed to filter out solid particles in suspension in a gas, depending on the chosen filtration threshold.

Technology

Sintered stainless steel
Sintered bronze

Technical data

Working pressure	Filtration threshold		
	370 bars maxi 5360 psi maxi	10 µm	25 µm
Temperature range	-20°C / +70°C		-4°F / +158°F
Inlet port	1/4" F BSPP	3/8" F BSPP	1/2" F BSPP
Outlet port	1/4" F BSPP	3/8" F BSPP	1/2" F BSPP
Seat size equivalent	6 mm		
Pressure loss	Please consult us		
DN (Nominal Diameter)	12		
Pressure gauge port	2x 1/4" BSPP pre-tapped		
	Tapped top flange optional		
Mounting	All mounting positions possible		
	Allows integration with Alcrysafe® modular systems		

Application

Designed for High-Pressure gas uses, the Alcrysafe® Filter can be employed in conjunction with the whole range of gases and liquids compatible with the component materials.

However some specific on-site installation factors can limit possible uses of the Filter.

The filtration threshold specified will be related to the type of gas or the installation requirements.

The clogging rate of the filter cartridge will depend on the specific on-site installation factors.



Filter & pressure gauge Size1/HP/Brass



The Alcrysafe® Pressurised Equipment range has been developed in our in-house R&D team. Technical expertise and innovation combined to provide optimal performance and security standards for your high pressure industrial gas applications.

Weight	2,7 kg			
Brackets	Two tapped M6x8 on the underside face			
	Four Ø6 ports for bracket mounting (brackets optional)			
Body material*	Brass			
Cartridge materials*	Sintered stainless steel		Sintered bronze	
	10 µm		25 µm	
	25 µm		40 µm	
	40 µm			
Gasket materials*	Nitrile	FKM	EPDM	PTFE
Cleaning	Inert Gas procedure MO-PROD0103 / Oxygen procedure MO-PROD0102			
Documentation	2.2 Certificate of Conformity (COC) according to EN 10204			
	General operating instructions			
Finishing's on demand	Drilled pressure gauge ports			
Options	Mounting brackets			
	Flanges : Welded BW or Screwed BSPP (please refer to Range of connectors technical data sheet n°9111)			

* others by request

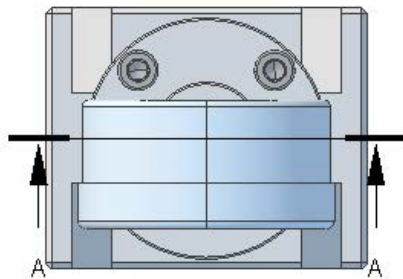
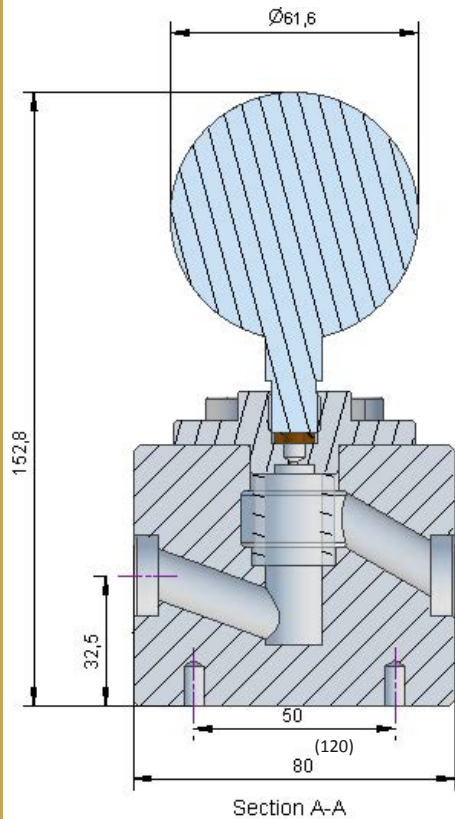
Filter & pressure gauge
Size1/HP/Brass



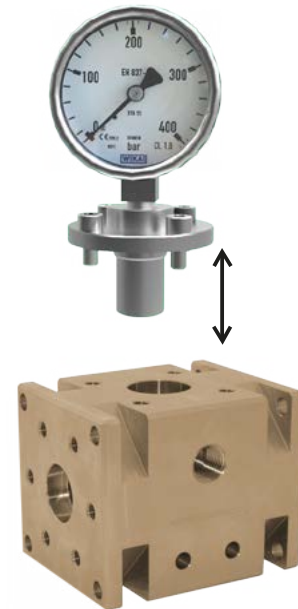
Data Sheet
n°2221

v.1/10-2014

drawings



fast&safe maintenance



Maintenance cartridge
Safety, speed and cost-effective.
On-site maintenance
only takes a few minutes !

Designed under our **Comprehensive Safety norm** guarantees performance and comprehensive safety of the installation (refer to Alcrysafe® range technical notice)

The Fast&safe maintenance cartridges offer unlimited scalability !

The filtration function, provided by the filter in this case can be easily reconfigured (filtration level) to respond to new requirements for the installation.

Order references

Standard configuration : Filter - AF11HB1002
Fast&safe cartridge - CF11HS-002

Please contact us to specify gasket and filter cartridge materials as well as the required filtration threshold.

Compatible gases*

- Inert Gases
- Flammable Gases
- Oxidizing Gases
- Toxic Gases

* Please, refer to one of our engineers

